



PC-648R/PC-658R SERIES **SPRING CLAMP TYPE CEILING MOUNT SPEAKERS**



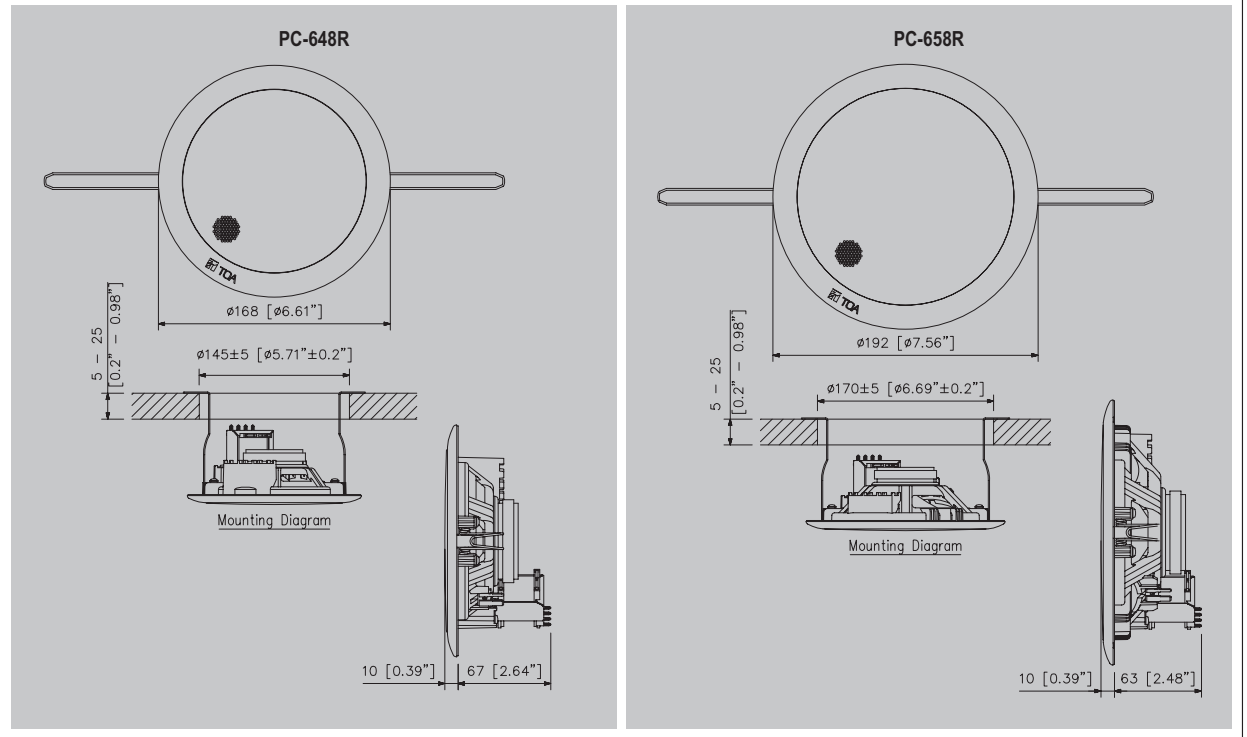
Cost effective and superbly easy installation

Integrated with a resin panel and speaker frame, the PC-648R and PC-658R are the ceiling mount speakers with a metal grille attached. They feature spring clamp mechanism for easy speaker mounting to the ceiling. The input impedance can be easily changed by changing the tap position of the transformer.

Features

- Spring clamp mechanism for easy speaker mounting to the ceiling.
- 12cm (5") cone type (PC-648R)
- 16cm (6") cone type (PC-658R)
- PP Resin, SECC punching Net

Installation Examples



Specifications

Model	PC-648R	PC-658R
Rated Input	6W (100V line), 3W (70V line)	
Rated Impedance	100V line: 1.7 kΩ (6W), 3.3kΩ (3W), 10kΩ (1W) 70V line: 1.7kΩ (3W), 3.3kΩ (1.5W), 10kΩ (0.5W)	
Sensitivity	90dB (1W, 1m)	
Frequency Response	100 – 18,000Hz	65– 18,000Hz
Speaker Component	12cm (5") cone-type	16cm (6") cone-type
Dimensions for fixing Hole	Mounting hole: $\phi 145 \pm 5$ mm ($\phi 5.71'' \pm 0.2''$) Ceiling thickness: 5 – 25mm (0.2 – 0.98")	Mounting hole: $\phi 170 \pm 5$ mm ($\phi 6.69'' \pm 0.2''$) Ceiling thickness: 5 – 25mm (0.2 – 0.98")
Speaker Mounting Method	Spring clamp	
Finish	Baffle: Polypropylene resin, off-white paint Grille: Surface-treated steel plate net, off-white paint	
Dimensions	$\phi 168 \times 77$ (D) mm	$\phi 192 \times 73$ (D) mm
Weight	470g	500g
Accessory	Paper pattern …1	



Human society with
Sound & Communication

TOA Corporation
www.toa.jp

Specifications are subject to change without notice.
Printed in Singapore (0706) 833-52-387-10